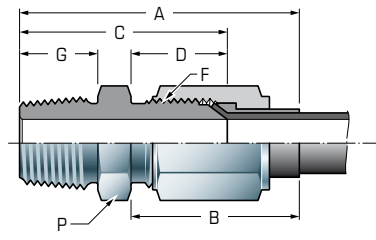


Connettore maschio Male connector

Tipo
Type

37DM



Tubo metrico
Metric tube

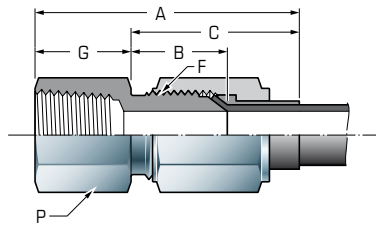
Tubo in pollici
Imperial tube

Codice Code	Ø tubo mm Ø tube mm	NPT Filet. thrd.	F Filet. thrd.	A mm	B mm	C mm	D mm	G mm	P mm	Ø tubo inch. Ø tube inch.	Codice Code
37DM 6-8	6	1/8"	7/16-20	40	23	31	14	9.5	13	1/4	37DM 1/4-8
37DM 6-4	6	1/4"	7/16-20	45	23	36	14	14	14	1/4	37DM 1/4-4
37DM 8-4	8	1/4"	1/2-20	46.5	24.5	36	14	14	14	5/16	37DM 5/16-3
37DM 10-4	10	1/4"	9/16-18	48.5	26	36.5	14	14	16	3/8	37DM 3/8-4
37DM 10-3	10	3/8"	9/16-18	48.5	26	36.5	14	14	19	3/8	37DM 3/8-3
37DM 10-2	10	1/2"	9/16-18	55	26	43	14	19	22	3/8	37DM 3/8-2
37DM 12-3	12	3/8"	3/4-16	51.5	29.5	39	17	14	19	1/2	37DM 1/2-3
37DM 12-2	12	1/2"	3/4-16	58	29.5	45.5	17	19	22	1/2	37DM 1/2-2
37DM 16-2	16	1/2"	7/8-14	64.5	36	48	19.5	19	24	5/8	37DM 5/8-2

Connettore femmina Female connector

Tipo
Type

37DF



Tubo metrico
Metric tube

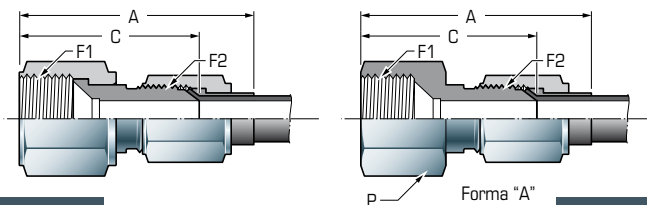
Tubo in pollici
Imperial tube

Codice Code	Ø tubo mm Ø tube mm	NPT Filet. thrd.	F Filet. thrd.	A mm	B mm	C mm	G mm	P mm	Ø tubo inch. Ø tube inch.	Codice Code
37DF 6-8	6	1/8"	7/16-20	39	14	23	16	14	1/4	37DF 1/4-8
37DF 6-4	6	1/4"	7/16-20	46.5	14	24.5	21.5	17	1/4	37DF 1/4-4
37DF 8-4	8	1/4"	1/2-20	46.5	14	24.5	21.5	17	5/16	37DF 5/16-3
37DF 10-4	10	1/4"	9/16-18	48.5	14	26	21.5	17	3/8	37DF 3/8-4
37DF 10-3	10	3/8"	9/16-18	48.5	14	26	23	22	3/8	37DF 3/8-3
37DF 10-2	10	1/2"	9/16-18	55	14	26	28.5	27	3/8	37DF 3/8-2
37DF 12-3	12	3/8"	3/4-16	51.5	17	29.5	23	22	1/2	37DF 1/2-3
37DF 12-2	12	1/2"	3/4-16	58	17	29.5	28.5	27	1/2	37DF 1/2-2
37DF 16-2	16	1/2"	7/8-14	64.5	19.5	36	28.5	27	5/8	37DF 5/8-2

Riduzione Reducer

Tipo
Type

37RD



Tubo metrico
Metric tube

Tubo in pollici
Imperial tube

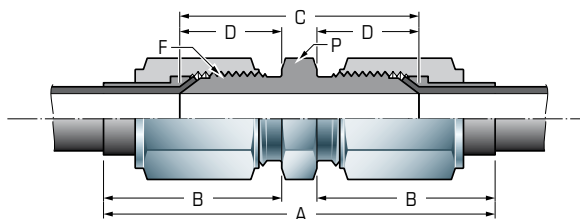
Codice Code	Ø tubo mm Ø tube mm	Ø tubo mm Ø tube mm	F1 Filett.37° Thrd.37°	F2 Filett.37° Thrd.37°	A mm	C mm	P mm	Ø tubo inch. Ø tube inch.	Ø tubo inch. Ø tube inch.	Codice Code
37RD 10-6	10	6	9/16-18	7/16-20	33.5	24.5		3/8	1/4	37RD 3/8-1/4
37RD 10-8	10	8	9/16-18	1/2-20	39.5	29	19	3/8	5/16	37RD 3/8-5/16
37RD 12-8	12	8	3/4-16	1/2-20	36	25.5		1/2	3/8	37RD 1/2-3/8
37RD 16-10	16	10	7/8-14	9/16-18	38	26		5/8	3/8	37RD 5/8-3/8
37RD 16-12	16	12	7/8-14	3/4-16	49	36.5	27	5/8	1/2	37RD 5/8-1/2

I pezzi contrassegnati da "○" vengono forniti nella forma A - The pieces signed "○" supplied in form A

Intermedio Union

Tipo
Type

37ID



Tubo metrico
Metric tube

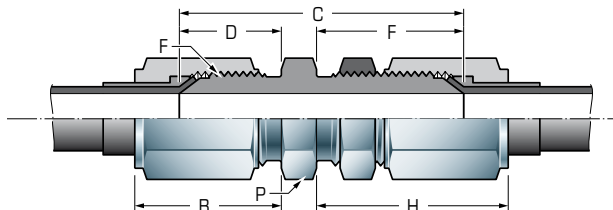
Tubo in pollici
Imperial tube

Codice Code	Ø tubo mm Ø tube mm	F Filet. thrd.	A mm	B mm	C mm	D mm	P mm	Ø tubo inch. Ø tube inch.	Codice Code
37ID 6	6	7/16-20	53	23	35	14	13	1/4	37ID 1/4
37ID 8	8	1/2-20	55.5	24.5	35	14	14	5/16	37ID 5/16
37ID 10	10	9/16-18	59.5	26	36	14	16	3/8	37ID 3/8
37ID 12	12	3/4-16	66.5	29.5	41	17	19	1/2	37ID 1/2
37ID 16	16	7/8-14	81	36	48	19.5	24	5/8	37ID 5/8

Intermedio passaparete Bulkhead union

Tipo
Type

37PP



Tubo metrico
Metric tube

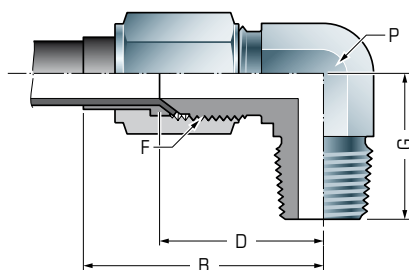
Tubo in pollici
Imperial tube

Codice Code	Ø tubo mm Ø tube mm	F Filet. thrd.	B mm	C mm	D mm	F mm	H mm	P mm	Ø tubo inch. Ø tube inch.	Codice Code
37PP 6	6	7/16-20	23	52.5	14	31	40.5	17	1/4	37PP 1/4
37PP 8	8	1/2-20	24.5	52.5	14	31	41.5	19	5/16	37PP 5/16
37PP 10	10	9/16-18	26	55.5	14	33.5	45	22	3/8	37PP 3/8
37PP 12	12	3/4-16	29.5	62	17	37.5	50	24	1/2	37PP 1/2
37PP 16	16	7/8-14	36	69.5	19.5	41	57.5	30	5/8	37PP 5/8

Gomito maschio Male elbow

Tipo
Type

37GM



Tubo metrico
Metric tube

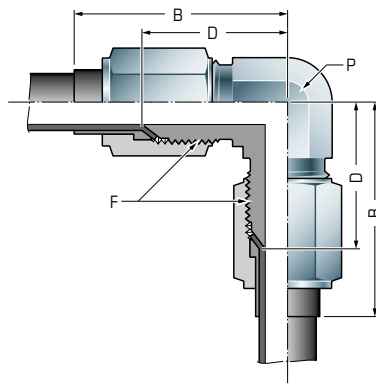
Tubo in pollici
Imperial tube

Codice Code	Ø tubo mm Ø tube mm	NPT Filet. thrd.	F Filet. thrd.	B mm	D mm	G mm	P mm	Ø tubo inch. Ø tube inch.	Codice Code
37GM 6-8	6	1/8"	7/16-20	31.5	22.5	20	22	1/4	37GM 1/4-8
37GM 6-4	6	1/4"	7/16-20	36	27	27.5	14	1/4	37GM 1/4-4
37GM 8-4	8	1/4"	1/2-20	37.5	27	27.5	14	5/16	37GM 5/16-3
37GM 10-4	10	1/4"	9/16-18	39	27	27.5	14	3/8	37GM 3/8-4
37GM 10-3	10	3/8"	9/16-18	41	29	31	19	3/8	37GM 3/8-3
37GM 10-2	10	1/2"	9/16-18	43	31	38	22	3/8	37GM 3/8-2
37GM 12-3	12	3/8"	3/4-16	44.5	32	31	22	1/2	37GM 1/2-3
37GM 12-2	12	1/2"	3/4-16	46.5	32	38	22	1/2	37GM 1/2-2
37GM 16-2	16	1/2"	7/8-14	53.5	37	38	27	5/8	37GM 5/8-2

Gomito intermedio Union elbow

Tipo
Type

371G



Tubo metrico Metric tube

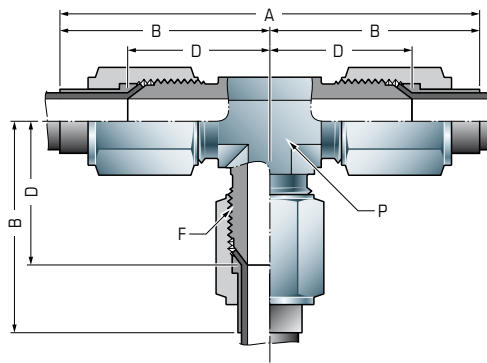
Tubo in pollici Imperial tube

Codice Code	Ø tubo mm Ø tube mm	F Filet. thrd.	B mm	D mm	P mm	Ø tubo inch. Ø tube inch.	Codice Code
371G 6	6	7/16-20	31.5	22.5	11	1/4	371G 1/4
371G 8	8	1/2-20	34.5	24	13	5/16	371G 5/16
371G 10	10	9/16-18	39	27	14	3/8	371G 3/8
371G 12	12	3/4-16	44.5	32	19	1/2	371G 1/2
371G 16	16	7/8-14	53.5	37	22	5/8	371G 5/8

"T" intermedio Union tee

Tipo
Type

371T



Tubo metrico Metric tube

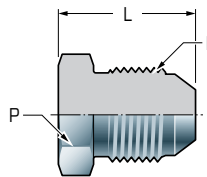
Tubo in pollici Imperial tube

Codice Code	Ø tubo mm Ø tube mm	F Filet. thrd.	A mm	B mm	D mm	P mm	Ø tubo inch. Ø tube inch.	Codice Code
371T 6	6	7/16-20	63	31.5	22.5	11	1/4	371T 1/4
371T 8	8	1/2-20	69	34.5	24	13	5/16	371T 5/16
371T 10	10	9/16-18	78	39	27	14	3/8	371T 3/8
371T 12	12	3/4-16	89	44.5	32	19	1/2	371T 1/2
371T 16	16	7/8-14	107	53.5	37	22	5/8	371T 5/8

Tappo per tubo Cap for tube

Tipo
Type

37TT



Tubo metrico Metric tube

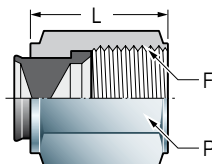
Tubo in pollici Imperial tube

Codice Code	Ø tubo mm Ø tube mm	F Filet. thrd.	L mm	P mm	Ø tubo inch. Ø tube inch.	Codice Code
37TT 6	6	7/16-20	20.5	13	1/4	37TT 1/4
37TT 8	8	1/2-20	20.5	14	5/16	37TT 5/16
37TT 10	10	9/16-18	21.5	16	3/8	37TT 3/8
37TT 12	12	3/4-16	24	19	1/2	37TT 1/2
37TT 16	16	7/8-14	28	24	5/8	37TT 5/8

Tappo per raccordo Plug for fitting

Tipo
Type

37TR



Tubo metrico Metric tube

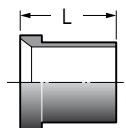
Tubo in pollici Imperial tube

Codice Code	Ø tubo mm Ø tube mm	F Filet. thrd.	L mm	P mm	Ø tubo inch. Ø tube inch.	Codice Code
37TR 6	6	7/16-20	15.5	14	1/4	37TR 1/4
37TR 8	8	1/2-20	17	16	5/16	37TR 5/16
37TR 10	10	9/16-18	18.5	19	3/8	37TR 3/8
37TR 12	12	3/4-16	21.5	22	1/2	37TR 1/2
37TR 16	16	7/8-14	24.5	27	5/8	37TR 5/8

Bussola Sleeve

Tipo
Type

37BU



Tubo metrico Metric tube

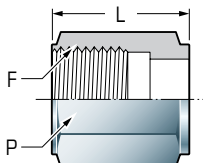
Tubo in pollici Imperial tube

Codice Code	Ø tubo mm Ø tube mm	L mm	Ø tubo inch. Ø tube inch.	Codice Code
37BU 6	6	10.5	1/4	37BU 1/4
37BU 8	8	11	5/16	37BU 5/16
37BU 10	10	12.5	3/8	37BU 3/8
37BU 12	12	14	1/2	37BU 1/2
37BU 16	16	17	5/8	37BU 5/8

Dado Nut

Tipo
Type

37DD



Tubo metrico Metric tube

Tubo in pollici Imperial tube

Codice Code	Ø tubo mm Ø tube mm	F Filet. thrd.	L mm	P mm	Ø tubo inch. Ø tube inch.	Codice Code
37DD 6	6	7/16-20	15.5	14	1/4	37DD 1/4
37DD 8	8	1/2-20	17	17	5/16	37DD 5/16
37DD 10	10	9/16-18	18	19	3/8	37DD 3/8
37DD 12	12	3/4-16	21.5	22	1/2	37DD 1/2
37DD 16	16	7/8-14	24.5	27	5/8	37DD 5/8