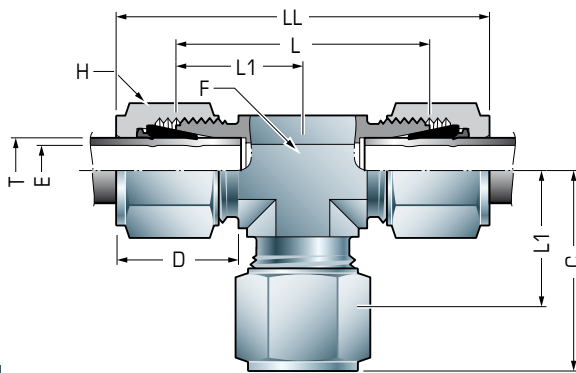


"T" intermedio
Union Tee

Tipo
Type

UT



Tubo in pollici
Imperial tube

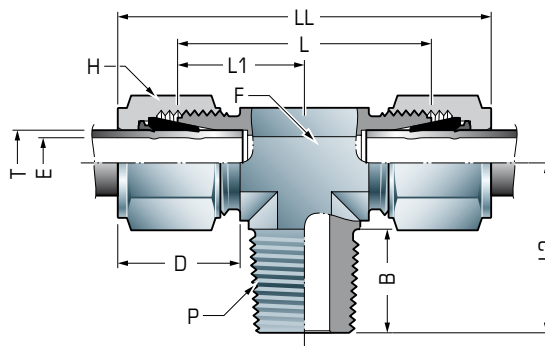
Tubo metrico
Metric tube

Code Code	tubo tube T	LL	C	D	Min. Open E	F	H	L	L1	tubo tube T	Code Code
UT 1	1/16	35.6	17.8	11	1.3	10	8	28	14		
UT 2	1/8	45	22.3	15.2	2.3	10	12	31.5	15.7		
UT 3	3/16	49	24.4	16	3	12	12	35.6	17.8		
UT 4	1/4	54.1	26.9	17.8	4.8	12	14	39	19.5	6	UT M6
UT 5	5/16	59.7	29.7	18.5	6.3	17	17	44.7	22.3	8	UT M8
UT 6	3/8	61.2	30.5	19.3	7.1	17	17	46.2	23	10	UT M10
UT 8	1/2	72.4	35.6	21.8	10.4	22	22	51.8	25.9	12	UT M12
UT 10	5/8	78	38.8	21.8	12.7	25	25	57.5	28.7	16	UT M16
UT 12	3/4	80	39.9	21.8	15.7	27	30	59.4	29.7		
UT 14	7/8	89.6	44.7	21.8	18.3	36	32	69	34.5		
UT 16	1	98.3	49	26.4	22.3	36	38	73.7	35.6		

"T" derivato maschio
Male branch tee

Tipo
Type

BTM



Tubo in pollici
Imperial tube

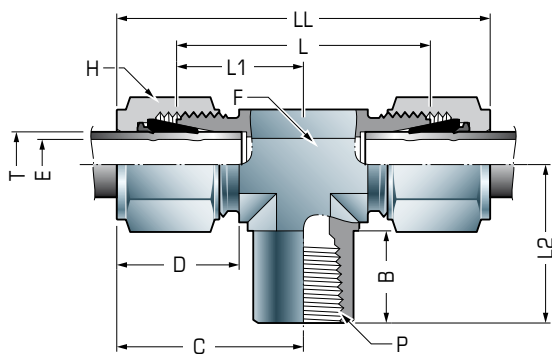
Tubo metrico
Metric tube

Code Code	tubo tube T	filett. thrd P	LL	B	D	Min. Open E	F	H	L	L1	L2	tubo tube T	filett. thrd. P	Code Code
BTM 2-2	1/8	1/8	47.5	9.6	15.2	2.3	12	12	34	17	17.8			
BTM 2-4	1/8	1/4	49.5	14.2	15.2	2.3	12	12	35.6	18	23.4			
BTM 3-2	3/16	1/8	49	9.6	16	3	12	12	35.6	17.8	17.8			
BTM 4-2	1/4	1/8	54.1	9.6	17.8	4.8	12	14	39	19.5	18.8	6	1/8	BTM M6-2
BTM 4-4	1/4	1/4	54.1	14.2	17.8	4.8	12	14	39	19.5	23.4	6	1/4	BTM M6-4
BTM 5-2	5/16	1/8	59.7	9.6	18.5	4.8	17	17	44.7	22.3	20.8	8	1/8	BTM M8-2
BTM 6-4	3/8	1/4	61.2	14.2	19.3	7.1	17	17	46.2	23	25.4	10	1/4	BTM M10-4
BTM 6-6	3/8	3/8	66.8	14.2	19.3	7.1	22	17	51.8	25.9	28.2	10	3/8	BTM M10-6
BTM 8-6	1/2	3/8	72.4	14.2	21.8	9.6	22	7/8	51.8	25.9	28.2	12	3/8	BTM M12-6
BTM 8-8	1/2	1/2	72.4	19	21.8	10.4	22	7/8	51.8	25.9	33	12	1/2	BTM M12-8
BTM 10-8	5/8	1/2	78	19	21.8	12	25	25	57.5	28.7	35.6	16	1/2	BTM M16-8
BTM 12-12	3/4	3/4	80	19	21.8	15.7	27	30	59.4	29.7	35.6			

"T" derivato femmina
Female branch tee

Tipo
Type

BTF



Tubo in pollici
Imperial tube

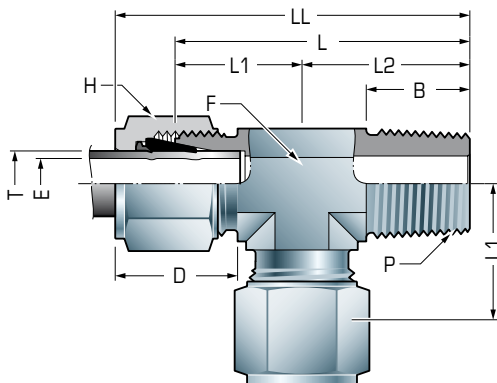
Tubo metrico
Metric tube

Codice Code	tubo tube T	filett. thrd. P	LL	C	B	D	Min. Open E	F	H	L	L1	L2	tubo tube T	filett. thrd. P	Codice Code
BTF 2-2	1/8	1/8	49.5	24.6	10.4	15.2	2.3	12	12	35.6	18	19			
BTF 4-2	1/4	1/8	54.1	25.4	10.4	17.8	4.8	12	14	39	19.5	19	6	1/8	BTF M6-2
BTF 4-4	1/4	1/4	59.7	29.7	14.9	17.8	4.8	17	14	44.7	23.3	23.3	6	1/4	BTF M6-4
BTF 6-4	3/8	1/4	62.7	31.2	14.9	19.3	7.1	17	17	47.7	23.8	23.3	10	1/4	BTF M10-4
BTF 8-6	1/2	3/8	72.4	35.6	14.9	21.8	10.4	22	22	51.8	25.4	23.3	12	3/8	BTF M12-6
BTF 8-4	1/2	1/4	72.4	35.6	14.9	21.8	10.4	22	22	51.8	25.4	23.3	12	1/4	BTF M12-4
BTF 8-8	1/2	1/2	78	38.8	19.8	21.8	10.4	25	22	57.5	28.7	28.5	12	1/2	BTF M12-8
BTF 10-8	5/8	1/2	78	38.8	19.8	21.8	12.7	25	25	57.5	28.7	28.5	16	1/2	BTF M16-8
BTF 12-12	3/4	3/4	89.6	44.7	20.6	21.8	15.7	36	30	69	34.5	31.7			
BTF 16-16	1	1	107	53.6	25.4	26.4	23.3	27	38	82.8	41.4	38			
BTF 16-12	1	3/4	98.3	49	20.6	26.4	23.3	36	38	73.7	35.6	31.7			

"T" terminale maschio
Male run tee

Tipo
Type

RTM



Tubo in pollici
Imperial tube

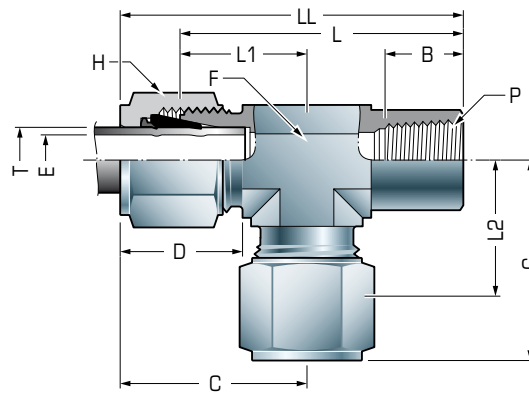
Tubo metrico
Metric tube

Codice Code	tubo tube T	filett. thrd. P	LL	B	D	Min. Open E	F	H	L	L1	L2	tubo tube T	filett. thrd. P	Codice Code
RTM 2-2	1/8	1/8	41.6	9.6	15.2	2.3	12	12	34.8	17	17.8			
RTM 2-4	1/8	1/4	48.3	14.2	15.2	2.3	12	12	41.4	18	23.4			
RTM 3-2	3/16	1/8	42.4	9.6	16	3	12	12	35.6	17.8	17.8			
RTM 4-2	1/4	1/8	46	9.6	17.8	4.8	12	14	38.4	19.5	18.8	6	1/8	RTM M6-2
RTM 4-4	1/4	1/4	50.5	14.2	17.8	4.8	17	14	42.9	19.5	23.4	6	1/4	RTM M6-4
RTM 5-2	5/16	1/8	51	9.6	18.5	4.8	17	17	43.2	22.3	20.8	8	1/8	RTM M8-2
RTM 6-4	3/8	1/4	56.1	14.2	19.3	7.1	17	17	48.5	23	25.4	10	1/4	RTM M10-4
RTM 6-6	3/8	3/8	61.7	14.2	19.3	7.1	22	17	54.1	25.9	28.2	10	3/8	RTM M10-6
RTM 8-6	1/2	3/8	64.5	14.2	21.8	9.6	22	22	54.1	25.9	28.2	12	3/8	RTM M12-6
RTM 8-8	1/2	1/2	69.3	19	21.8	10.4	22	22	58.9	25.9	33	12	1/2	RTM M12-8
RTM 10-8	5/8	1/2	73.4	19	21.8	12	24	25	63	28	35	16	1/2	RTM M16-8
RTM 12-12	3/4	3/4	77	19	21.8	15.7	27	30	66.5	29.7	35.6			

"T" terminale femmina
Female run tee

Tipo
Type

RTF



Tubo in pollici
Imperial tube

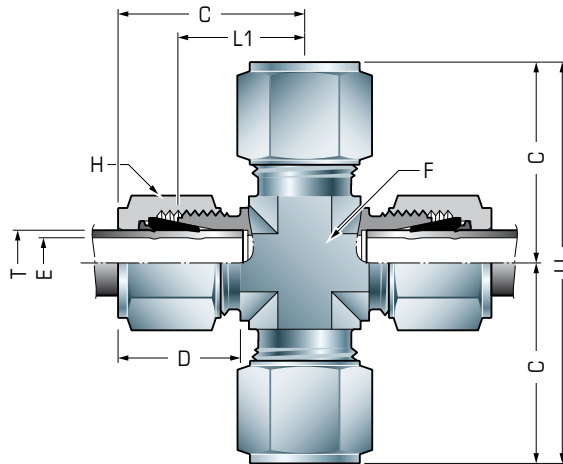
Tubo metrico
Metric tube

Codice Code	tubo tube T	filett. thrd P	LL	C	B	D	Min. Open E	F	H	L	L1	L2	tubo tube T	filett. thrd. P	Codice Code
RTF 2-2	1/8	1/8	43.9	24.6	10.4	15.2	2.3	12	12	37.1	18	19			
RTF 4-2	1/4	1/8	46.2	26.9	10.4	17.8	4.8	12	14	38.6	19.5	19	6	1/8	RTF M6-2
RTF 4-4	1/4	1/4	52.3	29.7	14.9	17.8	4.8	17	14	44.7	22.3	22.3	6	1/4	RTF M6-4
RTF 6-4	3/8	1/4	53.8	31.2	14.9	19.3	7.1	17	17	46.2	23.8	22.3	10	1/4	RTF M10-4
RTF 8-6	1/2	3/8	58.7	35.6	14.9	21.8	10.4	22	22	48.3	25.9	22.3	12	3/8	RTF M12-6
RTF 8-8	1/2	1/2	68.6	39.9	19.8	21.8	10.4	27	22	58.1	29.7	28.5	12	1/2	RTF M12-8
RTF 12-12	3/4	3/4	76.7	44.7	20.6	21.8	15.7	36	30	66.3	34.5	31.7			

Intermedio a croce
Union cross

Tipo
Type

UC



Tubo in pollici
Imperial tube

Tubo metrico
Metric tube

Codice Code	tubo tube T	LL	C	D	Min. Open E	F	H	L1	tubo tube T	Codice Code
UC 2	1/8	45	22.3	15.2	2.3	10	12	15.7		
UC 4	1/4	54.1	26.2	17.8	4.8	12	14	19.5	6	UC M6
UC 5	5/16	59.7	29.7	18.5	6.3	17	5/8	22.3	8	UC M8
UC 6	3/8	61.2	30.5	19.3	7.1	17	17	23	10	UC M10
UC 8	1/2	72.4	35.6	21.8	10.4	22	22	25.9	12	UC M12
UC 12	3/4	80	38.4	21.8	15.7	27	30	28.2		
UC 16	1	98.3	46.7	26.4	22.3	36	38	34.5		