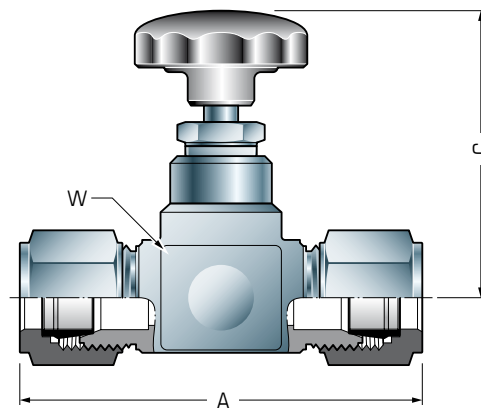


**Valvola a spillo intermedia**  
*Union needle valve*

Tipo  
Type

**VIC**

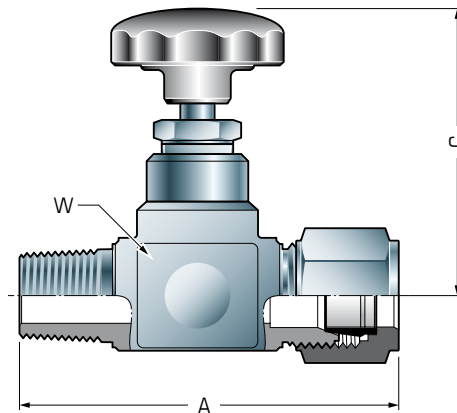


Tubo metrico <i>Metric tube</i>			Tubo in pollici <i>Imperial tube</i>			
Codice <i>Code</i>	∅ tubo mm <i>∅ pipe mm</i>	A mm	C mm	W mm	∅ tubo in. <i>∅ pipe in.</i>	Codice <i>Code</i>
<b>VIC 6</b>	6	67	55	17	1/4	<b>VAC 1/4</b>
<b>VIC 8</b>	8	76	60	22	5/16	<b>VAC 5/16</b>
<b>VIC 10</b>	10	77	60	22	3/8	<b>VAC 3/8</b>
<b>VIC 12</b>	12	77	60	22	1/2	<b>VAC 1/2</b>

**Valvola a spillo terminale**  
*Needle valve connector*

Tipo  
Type

**VTC**



Tubo metrico <i>Metric tube</i>			Tubo in pollici <i>Imperial tube</i>					
Codice <i>Code</i>	∅ tubo mm <i>∅ pipe mm</i>	NPT <i>filet.thrd.</i>	A mm	C mm	W mm	NPT <i>filet.thrd.</i>	∅ tubo in. <i>∅ pipe in.</i>	Codice <i>Code</i>
<b>VTC 6-8</b>	6	1/8"	61	55	17	1/8"	1/4	<b>VTC 1/4-8</b>
<b>VTC 6-4</b>	6	1/4"	62	55	17	1/4"	1/4	<b>VTC 1/4-4</b>
<b>VTC 8-4</b>	8	1/4"	68	60	22	1/4"	1/4	<b>VTC 5/16-4</b>
<b>VTC 8-3</b>	8	3/8"	69	60	22	3/8"	5/16	<b>VTC 5/16-3</b>
<b>VTC 10-4</b>	10	1/4"	69	60	22	1/4"	3/8	<b>VTC 3/8-4</b>
<b>VTC 10-3</b>	10	3/8"	70	60	22	3/8"	3/8	<b>VTC 3/8-3</b>
<b>VTC 10-2</b>	10	1/2"	74.5	60	22	1/2"	3/8	<b>VTC 3/8-2</b>
<b>VTC 12-4</b>	12	1/4"	69	60	22	1/4"	1/2	<b>VTC 1/2-4</b>
<b>VTC 12-3</b>	12	3/8"	70	60	22	3/8"	1/2	<b>VTC 1/2-3</b>
<b>VTC 12-2</b>	12	1/2"	74.5	60	22	1/2"	1/2	<b>VTC 1/2-2</b>