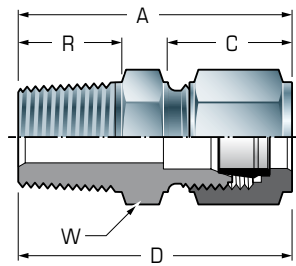


Terminale maschio Straight connector

Tipo
Type

RTDM



Tubo metrico Metric tube

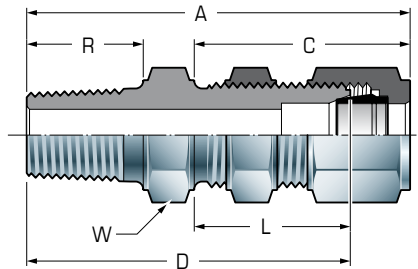
Tubo in pollici Imperial tube

Codice Code	∅ tubo mm ∅ pipe mm	NPT filet.thrd.	A mm	C mm	D mm	R mm	W mm	NPT filet.thrd.	∅ tubo in. ∅ pipe in.	Codice Code
RTDM 6-8	6	1/8"	37	19	28	12	14	1/8"	1/4	RTDM 1/4-8
RTDM 6-4	6	1/4"	38	19	29	13	14	1/4"	1/4	RTDM 1/4-4
RTDM 6-3	6	3/8"	39	19	31	14	17	3/8"	1/4	RTDM 1/4-3
RTDM 6-2	6	1/2"	43.5	19	36.6	18.5	22	1/2"	1/4	RTDM 1/4-2
RTDM 8-8	8	1/8"	37	19	30.5	12	17	1/8"	5/16	RTDM 5/16-8
RTDM 8-4	8	1/4"	38	19	31.5	14	17	1/4"	5/16	RTDM 5/16-4
RTDM 8-3	8	3/8"	39	19	31.5	14	17			
RTDM 8-2	8	1/2"	43.5	19	37	18.5	22			
			42	22	31.5	14	17	1/8"	3/8	RTDM 3/8-8
RTDM 10-4	10	1/4"	42	22	31.5	14	17	1/4"	3/8	RTDM 3/8-4
RTDM 10-3	10	3/8"	42	22	31.5	14	17	3/8"	3/8	RTDM 3/8-3
RTDM 10-2	10	1/2"	46.5	22	38	18.5	22	1/2"	3/8	RTDM 3/8-2
			49	22	39	19.5	27	3/4"	3/8	RTDM 3/8-1
			43.5	23.5	31.5	14	22	1/8"	1/2	RTDM 1/2-8
RTDM 12-4	12	1/4"	45.5	23.5	31.5	14	17	1/4"	1/2	RTDM 1/2-4
RTDM 12-3	12	3/8"	46.5	23.5	31.5	14	17	3/8"	1/2	RTDM 1/2-3
RTDM 12-2	12	1/2"	49	23.5	38	18.5	22	1/2"	1/2	RTDM 1/2-2
RTDM 12-1	12	3/4"	50	23.5	39	19.5	27	3/4"	1/2	RTDM 1/2-1
RTDM 16-3	16	3/8"	47.3	24.8	35.5	15	24	3/8"	5/8	RTDM 5/8-3
RTDM 16-2	16	1/2"	50.8	24.8	39	18.5	24	1/2"	5/8	RTDM 5/8-2
RTDM 16-1	16	3/4"	51.8	24.8	40	19.5	27	3/4"	5/8	RTDM 5/8-1

Terminale dritto maschio passaparete Bulkhead male connector

Tipo
Type

RPPM



Tubo metrico Metric tube

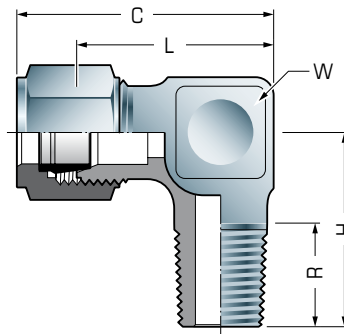
Tubo in pollici Imperial tube

Codice Code	∅ tubo mm ∅ pipe mm	NPT filet.thrd.	A mm	C mm	D mm	R mm	X mm	W mm	NPT filet.thrd.	∅ tubo in. ∅ pipe in.	Codice Code
RPPM 6-8	6	1/8"	54.2	35.2	45.2	26.2	12	17	1/8"	1/4	RPPM 1/4-8
RPPM 6-4	6	1/4"	56.2	35.2	47.2	26.2	14	17	1/4"	1/4	RPPM 1/4-4
RPPM 6-3	6	3/8"	56.2	35.2	47.2	26.2	14	19	3/8"	1/4	RPPM 1/4-3
RPPM 6-2	6	1/2"	60.7	35.2	51.7	26.2	18.5	22	1/2"	1/4	RPPM 1/4-2
RPPM 8-8	8	1/8"	56.7	37.7	47.7	28.7	12	17	1/8"	5/16	RPPM 5/16-8
RPPM 8-4	8	1/4"	58.7	37.7	49.7	28.7	14	17	1/4"	5/16	RPPM 5/16-4
RPPM 10-4	10	1/4"	60	39	50	29	14	19	1/4"	3/8	RPPM 3/8-4
RPPM 10-3	10	3/8"	60	39	50	29	14	19	3/8"	3/8	RPPM 3/8-3
RPPM 10-2	10	1/2"	64.5	39	54.5	29	18.5	22	1/2"	3/8	RPPM 3/8-2
RPPM 12-4	12	1/4"	64.3	43.3	52.8	31.8	14	22	1/4"	1/2	RPPM 1/2-4
RPPM 12-3	12	3/8"	64.3	43.3	52.8	31.8	14	22	3/8"	1/2	RPPM 1/2-3
RPPM 12-2	12	1/2"	68.8	43.3	57.3	31.8	18.5	22	1/2"	1/2	RPPM 1/2-2
RPPM 16-2	16	1/2"	71.3	55.8	59.5	34	18.5	24	1/2"	5/8	RPPM 5/8-2

Terminale a gomito maschio Male elbow connector

Tipo
Type

RTGM



Tubo metrico Metric tube

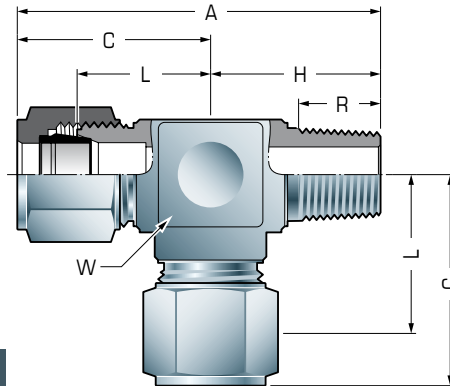
Tubo in pollici Imperial tube

Codice Code	∅ tubo mm ∅ pipe mm	NPT filet. thrd.	C mm	H mm	L mm	R mm	W mm	NPT filet. thrd.	∅ tubo in. ∅ pipe in.	Codice Code
RTGM 6-8	6	1/8"	28	24	20	12	14	1/8"	1/4	RTGM 1/4-8
RTGM 6-4	6	1/4"	28	25	20	13	22	1/4"	1/4	RTGM 1/4-4
RTGM 6-3	6	3/8"	35	32	28	14	22	3/8"	1/4	RTGM 1/4-3
RTGM 6-2	6	1/2"	35	35	28	18.5	22	1/2"	1/4	RTGM 1/4-2
RTGM 8-8	8	1/8"	35	32	28	12	22	1/8"	5/16	RTGM 5/16-8
RTGM 8-4	8	1/4"	35	32	28	14	22	1/4"	5/16	RTGM 5/16-4
RTGM 8-3	8	3/8"	35	32	28	14	22			
RTGM 8-2	8	1/2"	37	35	28	18.5	22			
RTGM 10-8	10	1/8"	37	32	28	13	22	1/8"	3/8	RTGM 3/8-8
RTGM 10-4	10	1/4"	37	32	28	14	22	1/4"	3/8	RTGM 3/8-4
RTGM 10-3	10	3/8"	37	32	28	14	22	3/8"	3/8	RTGM 3/8-3
RTGM 10-2	10	1/2"	37	35	28	18.5	22	1/2"	3/8	RTGM 3/8-2
			37	35	28	19.5	22	3/4"	3/8	RTGM 3/8-1
			39	32	28	13	22	1/8"	1/2	RTGM 1/2-8
RTGM 12-4	12	1/4"	39	32	28	14	22	1/4"	1/2	RTGM 1/2-4
RTGM 12-3	12	3/8"	39	32	28	14	22	3/8"	1/2	RTGM 1/2-3
RTGM 12-2	12	1/2"	39	35	28	18.5	22	1/2"	1/2	RTGM 1/2-2
			39	35	28	19.5	22	3/4"	1/2	RTGM 1/2-1
RTGM 16-3	16	3/8"	41	32	28	15	22	3/8"	5/8	RTGM 5/8-3
RTGM 16-2	16	1/2"	41	35	28	18.5	22	1/2"	5/8	RTGM 5/8-2

T di estremità maschio Male run Tee

Tipo
Type

RTTM



Tubo metrico Metric tube

Tubo in pollici Imperial tube

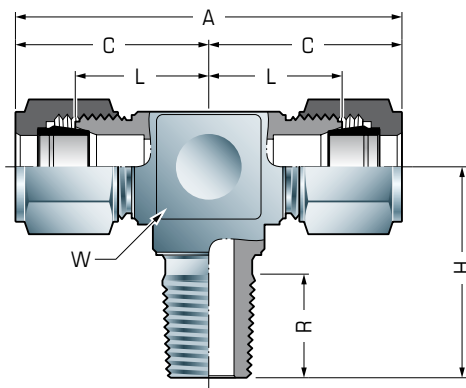
Codice Code	∅ tubo mm ∅ pipe mm	NPT filet. thrd.	A mm	C mm	L mm	W mm	R mm	H mm	NPT filet. thrd.	∅ tubo in. ∅ pipe in.	Codice Code
RTTM 6-8	6	1/8"	61	34	25	17	12	27	1/8"	1/8	RTTM 1/4-8
RTTM 6-4	6	1/4"	62	34	25	22	13	28	1/4"	1/4	RTTM 1/4-4
RTTM 8-8	8	1/8"	64	37	28.5	22	12	27	1/8"	1/8	RTTM 5/16-8
RTTM 8-4	8	1/4"	65	37	28.5	22	14	28	1/4"	1/4	RTTM 5/16-4
RTTM 10-4	10	1/4"	66	38	28.5	22	14	28	1/4"	1/4	RTTM 3/8-4
RTTM 12-3	12	3/8"	68	40	28.5	22	14	28	3/8"	1/2	RTTM 1/2-3
RTTM 12-2	12	1/2"	72.5	40	28.5	30	18.5	32.5	1/2"	1/2	RTTM 1/2-2
RTTM 16-2	16	1/2"	73.5	41	28.5	30	18.5	32.5	1/2"	5/8	RTTM 5/8-2

T di derivazione maschio

Male run T

Tipo
Type

RTDM



Tubo metrico

Metric tube

Tubo in pollici

Imperial tube

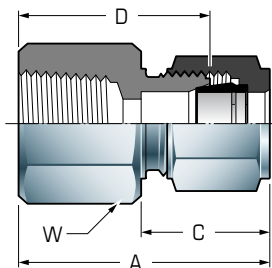
Codice Code	∅ tubo mm ∅ pipe mm	NPT filet. thrd.	A mm	C mm	L mm	W mm	R mm	H mm	NPT filet. thrd.	∅ tubo in. ∅ pipe in.	Codice Code
RTDM 6-8	6	1/8"	68	34	25	17	12	27	1/8"	1/4	RTDM 1/4-8
RTDM 6-4	6	1/4"	68	34	25	22	13	28	1/4"	1/4	RTDM 1/4-4
RTDM 8-8	8	1/8"	74	37	28.5	22	12	27	1/8"	1/8	RTDM 5/16-8
RTDM 8-4	8	1/4"	74	37	28.5	22	14	28	1/4"	1/4	RTDM 5/16-4
RTDM 10-4	10	1/4"	76	38	28.5	22	14	28	1/4"	1/4	RTDM 3/8-4
RTDM 12-3	12	3/8"	80	40	28.5	22	14	28	3/8"	1/2	RTDM 1/2-3
RTDM 12-2	12	1/2"	80	40	28.5	30	18.5	32.5	1/2"	1/2	RTDM 1/2-2
RTDM 16-2	16	1/2"	82	41	28.5	30	18.5	32.5	1/2"	5/8	RTDM 5/8-2

Terminale dritto femmina

Straight female connector

Tipo
Type

RTDF



Tubo metrico

Metric tube

Tubo in pollici

Imperial tube

Codice Code	∅ tubo mm ∅ pipe mm	NPT filet.thrd.	A mm	C mm	D mm	W mm	NPT filet.thrd.	∅ tubo in. ∅ pipe in.	Codice Code
RTDF 6-8	6	1/8"	36	19	27	14	1/8"	1/4	RTDF 1/4-8
RTDF 6-4	6	1/4"	37	19	28	17	1/4"	1/4	RTDF 1/4-4
RTDF 6-3	6	3/8"	39	19	30	22	3/8"	1/4	RTDF 1/4-3
RTDF 6-2	6	1/2"	44	19	35	27	1/2"	1/4	RTDF 1/4-2
RTDF 8-8	8	1/8"	38	19	29	17	1/8"	5/16	RTDF 5/16-8
RTDF 8-4	8	1/4"	39	19	30	17	1/4"	5/16	RTDF 5/16-4
RTDF 8-3	8	3/8"	40	19	31	22	3/8"	5/16	RTDF 5/16-3
RTDF 8-2	8	1/2"	45	19	36	27			
			40	22	30	17	1/8"	3/8	RTDF 3/8-8
RTDF 10-4	10	1/4"	41	22	31	17	1/4"	3/8	RTDF 3/8-4
RTDF 10-3	10	3/8"	42	22	32	22	3/8"	3/8	RTDF 3/8-3
RTDF 10-2	10	1/2"	47	22	37	27	1/2"	3/8	RTDF 3/8-2
RTDF 12-4	12	1/4"	42.5	23.5	31	22	1/4"	1/2	RTDF 1/2-4
RTDF 12-3	12	3/8"	43.5	23.5	32	22	3/8"	1/2	RTDF 1/2-3
RTDF 12-2	12	1/2"	48.5	23.5	37	27	1/2"	1/2	RTDF 1/2-2
RTDF 12-1	12	3/4"	48.5	23.5	37	32	3/4"	1/2	RTDF 1/2-1
RTDF 16-3	16	3/8"	43.8	24.8	32	24	3/8"	5/8	RTDF 5/8-3
RTDF 16-2	16	1/2"	49.8	24.8	38	27	1/2"	5/8	RTDF 5/8-2
RTDF 16-1	16	3/4"	49.8	24.8	38	32	3/4"	5/8	RTDF 5/8-1

Terminale dritto femmina passaparete Bulkhead female connector

Tipo
Type

RPPF



Tubo metrico
Metric tube

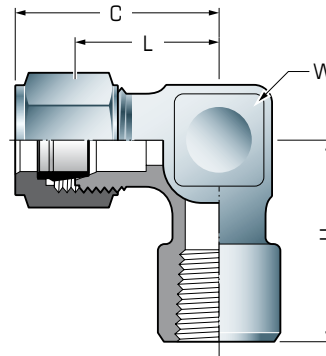
Tubo in pollici
Imperial tube

Codice Code	∅ tubo mm ∅ pipe mm	NPT filet.thrd.	A mm	C mm	W mm	NPT filet.thrd.	∅ tubo in. ∅ pipe in.	Codice Code
RPPF 6-8	6	1/8"	52.2	35.7	17	1/8"	1/4	RPPF 1/4-8
RPPF 6-4	6	1/4"	53.2	35.7	17	1/4"	1/4	RPPF 1/4-4
RPPF 8-8	8	1/8"	54.7	37.7	17	1/8"	5/16	RPPF 5/16-8
RPPF 8-4	8	1/4"	55.7	37.7	17	1/4"	5/16	RPPF 5/16-4
			56.7	39	17	1/4"	3/8	RPPF 3/8-4
RPPF 10-3	10	3/8"	56.7	39	17			
RPPF 10-2	10	1/2"	64	39	27	1/2"	3/8	RPPF 3/8-2
RPPF 12-3	12	3/8"	54.8	43.3	22	3/8"	1/2	RPPF 1/2-3
RPPF 12-2	12	1/2"	60.8	43.3	27	1/2"	1/2	RPPF 1/2-2
RPPF 16-2	16	1/2"	80.8	55.8	27	1/2"	5/8	RPPF 5/8-2

Terminale a gomito femmina Elbow female

Tipo
Type

RTGF



Tubo metrico
Metric tube

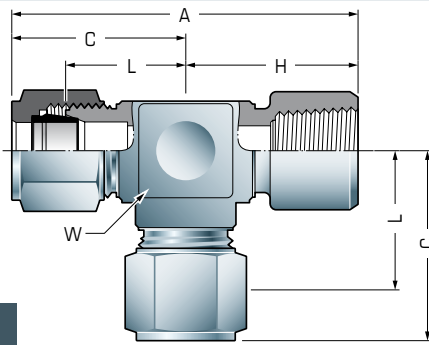
Tubo in pollici
Imperial tube

Codice Code	∅ tubo mm ∅ pipe mm	NPT filet.thrd.	C mm	H mm	L mm	W mm	NPT filet.thrd.	∅ tubo in. ∅ pipe in.	Codice Code
RTGF 6-8	6	1/8"	28	25	20	14	1/8"	1/4	RTGF 1/4-8
RTGF 6-4	6	1/4"	35	33	28	22	1/4"	1/4	RTGF 1/4-4
RTGF 6-3	6	3/8"	35	33	28	22	3/8"	1/4	RTGF 1/4-3
RTGF 6-2	6	1/2"	35	38	28	22	1/2"	1/4	RTGF 1/4-2
RTGF 8-8	8	1/8"	35	33	28	22	1/8"	5/16	RTGF 5/16-8
RTGF 8-4	8	1/4"	35	33	28	22	1/4"	5/16	RTGF 5/16-4
RTGF 10-8	10	1/8"	37	33	28	22	1/8"	3/8	RTGF 3/8-8
RTGF 10-4	10	1/4"	37	33	28	22	1/4"	3/8	RTGF 3/8-4
RTGF 10-3	10	3/8"	37	33	28	22	3/8"	3/8	RTGF 3/8-3
RTGF 10-2	10	1/2"	37	38	28	22	1/2"	3/8	RTGF 3/8-2
RTGF 12-4	12	1/4"	39	33	28	22	1/4"	1/2	RTGF 1/2-4
RTGF 12-3	12	3/8"	39	33	28	22	3/8"	1/2	RTGF 1/2-3
RTGF 12-2	12	1/2"	39	38	28	22	1/2"	1/2	RTGF 1/2-2
RTGF 16-3	16	3/8"	41	33	28	22	3/8"	5/8	RTGF 5/8-3
RTGF 16-2	16	1/2"	41	38	28	22	1/2"	5/8	RTGF 5/8-2

T di estremità femmina Female run Tee

Tipo
Type

RTTF



Tubo metrico Metric tube

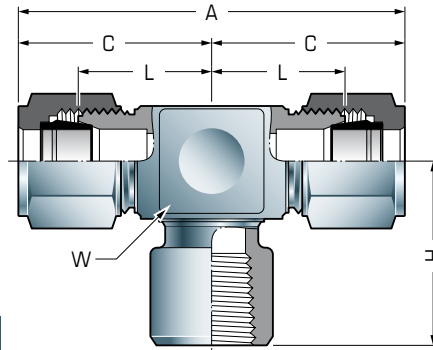
Tubo in pollici Imperial tube

Codice Code	∅ tubo mm ∅ pipe mm	NPT filet.thrd.	C mm	H mm	L mm	A mm	W mm	NPT filet.thrd.	∅ tubo in. ∅ pipe in.	Codice Code
RTTF 6-8	6	1/8"	34	20	25	54	17	1/8"	1/4	RTTF 1/4-8
RTTF 6-4	6	1/4"	34	20	25	54	22	1/4"	1/4	RTTF 1/4-4
RTTF 6-3	6	3/8"	34	22	25	56	22	3/8"	1/4	RTTF 1/4-3
RTTF 6-2	6	1/2"	34	26	25	60	30	1/2"	1/4	RTTF 1/4-2
RTTF 8-8	8	1/8"	37	20	28.5	57	22	1/8"	5/16	RTTF 5/16-8
RTTF 8-4	8	1/4"	37	20	28.5	57	22	1/4"	5/16	RTTF 5/16-4
RTTF 10-8	10	1/8"	38	20	28.5	58	22	1/8"	3/8	RTTF 3/8-8
RTTF 10-4	10	1/4"	38	20	28.5	58	22	1/4"	3/8	RTTF 3/8-4
RTTF 10-3	10	3/8"	38	22	28.5	60	22	3/8"	3/8	RTTF 3/8-3
RTTF 10-2	10	1/2"	38	26	28.5	64	30	1/2"	3/8	RTTF 3/8-2
RTTF 12-4	12	1/4"	40	20	28.5	60	22	1/4"	1/2	RTTF 1/2-4
RTTF 12-3	12	3/8"	40	22	28.5	62	22	3/8"	1/2	RTTF 1/2-3
RTTF 12-2	12	1/2"	40	26	28.5	66	30	1/2"	1/2	RTTF 1/2-2
RTTF 16-3	16	3/8"	41	22	28.5	63	30	3/8"	5/8	RTTF 5/8-3
RTTF 16-2	16	1/2"	41	26	28.5	67	30	1/2"	5/8	RTTF 5/8-2

T di derivazione femmina Female branch Tee

Tipo
Type

RTTDF



Tubo metrico Metric tube

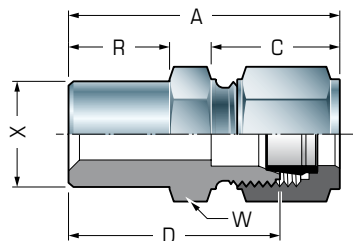
Tubo in pollici Imperial tube

Codice Code	∅ tubo mm ∅ pipe mm	NPT filet.thrd.	C mm	H mm	L mm	A mm	W mm	NPT filet.thrd.	∅ tubo in. ∅ pipe in.	Codice Code
RTTDF 6-8	6	1/8"	34	20	25	54	17	1/8"	1/4	RTTDF 1/4-8
RTTDF 6-4	6	1/4"	34	20	25	54	22	1/4"	1/4	RTTDF 1/4-4
RTTDF 6-3	6	3/8"	34	22	25	56	22	3/8"	1/4	RTTDF 1/4-3
RTTDF 6-2	6	1/2"	34	26	25	60	30	1/2"	1/4	RTTDF 1/4-2
RTTDF 8-8	8	1/8"	37	20	28.5	57	22	1/8"	5/16	RTTDF 5/16-8
RTTDF 8-4	8	1/4"	37	20	28.5	57	22	1/4"	5/16	RTTDF 5/16-4
RTTDF 10-8	10	1/8"	38	20	28.5	58	22	1/8"	3/8	RTTDF 3/8-8
RTTDF 10-4	10	1/4"	38	20	28.5	58	22	1/4"	3/8	RTTDF 3/8-4
RTTDF 10-3	10	3/8"	38	22	28.5	60	22	3/8"	3/8	RTTDF 3/8-3
RTTDF 10-2	10	1/2"	38	26	28.5	64	30	1/2"	3/8	RTTDF 3/8-2
RTTDF 12-4	12	1/4"	40	20	28.5	60	22	1/4"	1/2	RTTDF 1/2-4
RTTDF 12-3	12	3/8"	40	22	28.5	62	22	3/8"	1/2	RTTDF 1/2-3
RTTDF 12-2	12	1/2"	40	26	28.5	66	30	1/2"	1/2	RTTDF 1/2-2
RTTDF 16-3	16	3/8"	41	22	28.5	63	30	3/8"	5/8	RTTDF 5/8-3
RTTDF 16-2	16	1/2"	41	26	28.5	67	30	1/2"	5/8	RTTDF 5/8-2

Terminale dritto a saldare di testa Butt weld connector

Tipo
Type

RTDBW



Tubo metrico Metric tube

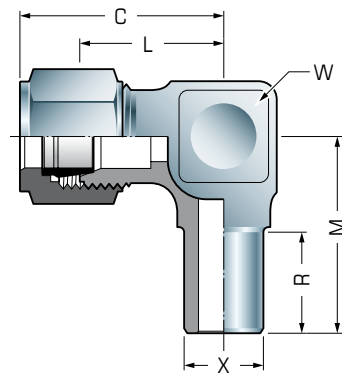
Tubo in pollici Imperial tube

Codice Code	Ø tubo mm Ø pipe mm	Tubo SDT BW End	A mm	C mm	D mm	R mm	X mm	W mm	Tubo SDT BW End	Ø tubo in. Ø pipe in.	Codice Code
RTDBW 6-8	6	1/8"	36	19	27	10	10.3	14	1/8"	1/4	RTDBW 1/4-8
RTDBW 6-4	6	1/4"	39	19	30	13	13.7	14	1/4"	1/4	RTDBW 1/4-4
RTDBW 6-3	6	3/8"	42	19	33	16	17.2	19	3/8"	1/4	RTDBW 1/4-3
RTDBW 6-2	6	1/2"	45	19	36	19	21.3	22	1/2"	1/4	RTDBW 1/4-2
RTDBW 8-8	8	1/8"	36	19	28	10	10.3	17	1/8"	5/16	RTDBW 5/16-8
RTDBW 8-4	8	1/4"	39	19	31	13	13.7	17	1/4"	5/16	RTDBW 5/16-4
RTDBW 8-3	8	3/8"	42	19	34	16	17.2	19			
RTDBW 8-2	8	1/2"	45	19	37	19	21.3	22			
RTDBW 10-4	10	1/4"	42	22	32	13	13.7	19	1/4"	3/8	RTDBW 3/8-4
RTDBW 10-3	10	3/8"	45	22	35	16	17.2	19	3/8"	3/8	RTDBW 3/8-3
RTDBW 10-2	10	1/2"	48	22	38	19	21.3	22	1/2"	3/8	RTDBW 3/8-2
			48	22	38	19	26.9	27	3/4"	3/8	RTDBW 3/8-1
RTDBW 12-4	12	1/4"	43.5	23.5	32	13	13.7	22	1/4"	1/2	RTDBW 1/2-4
RTDBW 12-3	12	3/8"	46.5	23.5	35	16	17.2	22	3/8"	1/2	RTDBW 1/2-3
RTDBW 12-2	12	1/2"	49.5	23.5	38	19	21.3	22	1/2"	1/2	RTDBW 1/2-2
RTDBW 12-1	12	3/4	49.5	23.5	38	19	26.9	27	3/4"	1/2	RTDBW 1/2-1
RTDBW 16-3	16	3/8"	47.8	24.8	36	16	17.2	24	3/8"	5/8	RTDBW 5/8-3
RTDBW 16-2	16	1/2"	50.8	24.8	39	19	21.3	24	1/2"	5/8	RTDBW 5/8-2
RTDBW 16-1	16	3/4	50.8	24.8	39	19	26.9	27	3/4"	5/8	RTDBW 5/8-1

Terminale a gomito a saldare di testa Butt weld elbow connector

Tipo
Type

RTGBW



Tubo metrico Metric tube

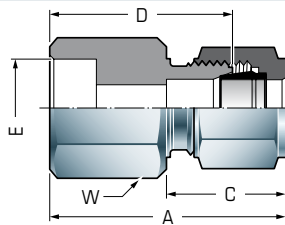
Tubo in pollici Imperial tube

Codice Code	Ø tubo mm Ø pipe mm	Tubo SDT BW End	C mm	L mm	R mm	M mm	X mm	W mm	Tubo SDT BW End	Ø tubo in. Ø pipe in.	Codice Code
RTGBW 6-8	6	1/8"	28	20	10	24	10.3	14	1/8"	1/4	RTGBW 1/4-8
RTGBW 6-4	6	1/4"	28	20	13	25	13.7	14	1/4"	1/4	RTGBW 1/4-4
RTGBW 6-3	6	3/8"	35	28	16	32	17.2	22	3/8"	1/4	RTGBW 1/4-3
RTGBW 6-2	6	1/2"	35	28	19	35	21.3	22	1/2"	1/4	RTGBW 1/4-2
RTGBW 8-8	8	1/8"	35	28	10	32	10.3	22	1/8"	5/16	RTGBW 5/16-8
RTGBW 8-4	8	1/4"	35	28	13	32	13.7	22	1/4"	5/16	RTGBW 5/16-4
RTGBW 8-3	8	3/8"	35	28	16	32	17.2	22			
RTGBW 8-2	8	1/2"	35	28	19	35	21.3	22			
RTGBW 10-4	10	1/4"	37	28	13	32	13.7	22	1/4"	3/8	RTGBW 3/8-4
RTGBW 10-3	10	3/8"	37	28	16	32	17.2	22	3/8"	3/8	RTGBW 3/8-3
RTGBW 10-2	10	1/2"	37	28	19	35	21.3	22	1/2"	3/8	RTGBW 3/8-2
RTGBW 12-4	12	1/4"	39	28	13	32	13.7	22	1/4"	1/2	RTGBW 1/2-4
RTGBW 12-3	12	3/8"	39	28	16	32	17.2	22	3/8"	1/2	RTGBW 1/2-3
RTGBW 12-2	12	1/2"	39	28	19	35	21.3	22	1/2"	1/2	RTGBW 1/2-2
RTGBW 16-3	16	3/8"	41	28	16	32	17.2	22	3/8"	5/8	RTGBW 5/8-3
RTGBW 16-2	16	1/2"	41	28	19	35	21.3	22	1/2"	5/8	RTGBW 5/8-2

Terminale dritto tasca a saldare Socket weld connector

Tipo
Type

RTDSW



Tubo metrico Metric tube

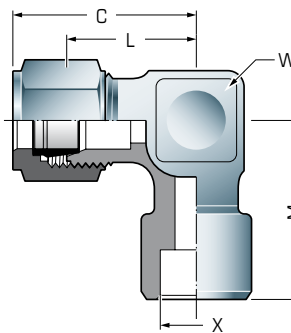
Tubo in pollici Imperial tube

Codice Code	∅ tubo mm ∅ pipe mm	Tasca SW	A mm	C mm	D mm	E mm	W mm	Tasca SW	∅ tubo in. ∅ pipe in.	Codice Code
RTDSW 6-8	6	1/8"	37	19	28	10.8	17	1/8"	1/4	RTDSW 1/4-8
RTDSW 6-4	6	1/4"	37	19	28	14.2	22	1/4"	1/4	RTDSW 1/4-4
RTDSW 6-3	6	3/8"	37	19	28	17.7	25.4	3/8"	1/4	RTDSW 1/4-3
RTDSW 6-2	6	1/2"	37	19	28	21.8	32	1/2"	1/4	RTDSW 1/4-2
RTDSW 8-8	8	1/8"	37	19	29	10.8	17	1/8"	5/16	RTDSW 5/16-8
RTDSW 8-4	8	1/4"	37	19	29	14.2	22	1/4"	5/16	RTDSW 5/16-4
RTDSW 8-3	8	3/8"	37	19	29	17.7	25.4			
RTDSW 8-2	8	1/2"	37	19	29	21.8	32			
RTDSW 10-4	10	1/4"	40	22	30	14.2	22	1/4"	3/8	RTDSW 3/8-4
RTDSW 10-3	10	3/8"	40	22	30	17.7	25.4	3/8"	3/8	RTDSW 3/8-3
RTDSW 10-2	10	1/2"	40	22	30	21.8	32	1/2"	3/8	RTDSW 3/8-2
								3/4"	3/8	RTDSW 3/8-1
RTDSW 12-4	12	1/4"	41.5	23.5	30	14.2	22	1/4"	1/2	RTDSW 1/2-4
RTDSW 12-3	12	3/8"	41.5	23.5	30	17.7	25.4	3/8"	1/2	RTDSW 1/2-3
RTDSW 12-2	12	1/2"	41.5	23.5	30	21.8	32	1/2"	1/2	RTDSW 1/2-2
RTDSW 12-1	12	3/4	41.5	23.5	30	27.5	36	3/4"	1/2	RTDSW 1/2-1
RTDSW 16-3	16	3/8"	42.8	24.8	31	17.7	25.4	3/8"	5/8	RTDSW 5/8-3
RTDSW 16-2	16	1/2"	42.8	24.8	31	21.8	32	1/2"	5/8	RTDSW 5/8-2
RTDSW 16-1	16	3/4"	42.8	24.8	31	27.5	36	3/4"	5/8	RTDSW 5/8-1

Terminale a gomito tasca a saldare Socket weld elbow connector

Tipo
Type

RTGSW



Tubo metrico Metric tube

Tubo in pollici Imperial tube

Codice Code	∅ tubo mm ∅ pipe mm	Tasca SW	C mm	L mm	X mm	M mm	W mm	Tasca SW	∅ tubo in. ∅ pipe in.	Codice Code
RTGSW 6-8	6	1/8"	28	20	10.8	24	14	1/8"	1/4	RTGSW 1/4-8
RTGSW 6-4	6	1/4"	35	28	14.2	32	22	1/4"	1/4	RTGSW 1/4-4
RTGSW 6-3	6	3/8"	35	28	17.7	32	22	3/8"	1/4	RTGSW 1/4-3
RTGSW 6-2	6	1/2"	35	28	21.8	35	22	1/2"	1/4	RTGSW 1/4-2
RTGSW 8-8	8	1/8"	35	28	10.8	32	22	1/8"	5/16	RTGSW 5/16-8
RTGSW 8-4	8	1/4"	35	28	14.2	32	22	1/4"	5/16	RTGSW 5/16-4
RTGSW 8-3	8	3/8"	35	28	17.7	32	22			
RTGSW 8-2	8	1/2"	35	28	21.8	35	22			
RTGSW 10-4	10	1/4"	37	28	14.2	32	22	1/4"	3/8	RTGSW 3/8-4
RTGSW 10-3	10	3/8"	37	28	17.7	32	22	3/8"	3/8	RTGSW 3/8-3
RTGSW 10-2	10	1/2"	37	28	21.8	35	22	1/2"	3/8	RTGSW 3/8-2
RTGSW 12-4	12	1/4"	39	28	14.2	32	22	1/4"	1/2	RTGSW 1/2-4
RTGSW 12-3	12	3/8"	39	28	17.7	32	22	3/8"	1/2	RTGSW 1/2-3
RTGSW 12-2	12	1/2"	39	28	21.8	35	22	1/2"	1/2	RTGSW 1/2-2
RTGSW 16-3	16	3/8"	41	28	17.7	32	22	3/8"	5/8	RTGSW 5/8-3
RTGSW 16-2	16	1/2"	41	28	21.8	35	22	1/2"	5/8	RTGSW 5/8-2